

03

BEADS

Beads offer the highest standard available on the market. The high-quality precision cutting and the clear through-hole achieve high brilliance and clarity. Rounded hole edges reduce the wear on thread and increase the durability of designs. They are available in the latest fashion colors, effects, and cuts. A wide range of colors and effects opens up endless possibilities for different combinations and designs. The main application techniques are beading, wiring, stringing, and weaving.

COLORS & EFFECTS

OPEN TO SEE COLORS & EFFECTS

COLORS

	Crystal 001		Aquamarine 202
	White Alabaster 281		Air Blue Opal 285
	White Opal 234		Sapphire 206
	Light Silk 261		Capri Blue 243
	Silk 391		Dark Indigo 288
	Light Peach 362		Montana 207
	Rosaline 508		Turquoise 267
	Rose Water Opal 395		Light Turquoise 263
	Vintage Rose 319		Blue Zircon 229
	Blush Rose 257		Indicolite 379
	Light Rose 223		Indian Sapphire 217
	Rose Peach 262		Denim Blue 266
	Padparadscha 542		Black Diamond 215
	Indian Pink 289		Pacific Opal 390
	Fireopal 237		Chrysolite Opal 294
	Hyacinth 236		Chrysolite 238
	Light Siam 227		Peridot 214
	Rose 209		Erinte 360
	Fuchsia 502		Fern Green 291
	Ruby 501		Emerald 205
	Siam 208		Olivine 228
	Burgundy 515		Greige 284
	Amethyst 204		Light Grey Opal 383
	Cyclamen Opal 398		Light Colorado Topaz 246
	Purple Velvet 277		Jonquil 213
	Tanzanite 539		Citrine 249
	Violet 371		Yellow Opal 231
	Light Amethyst 212		Light Topaz 226
	Smoky Mauve 265		Sunflower 292
	Provence Lavender 283		Topaz 203
	Light Sapphire 211		Tangerine 259
	Light Azure 361		Light Smoked Topaz 221
			Smoked Topaz 220

	Smoky Quartz 225
	Mocca 286
	Graphite 253
	Jet 280

EFFECTS

	Crystal Silver Shade 001 SSHA
	Crystal Moonlight 001 MOL
	Crystal Aurore Boreale 001 AB
	Crystal Aurore Boreale 2x 001 AB2
	Crystal Aurore Boreale Satin* 001 ABSAT
	Crystal Luminous Green* 001 LUMG
	Crystal Golden Shadow 001 GSHA
	Crystal Metallic Sunshine* 001 METSH
	Crystal Metallic Sunshine 2x* 001 METSH2
	Crystal Rose Gold* 001 ROGL
	Crystal Rose Gold 2x* 001 ROGL2
	Crystal Copper* 001 COP
	Crystal Astral Pink 001 API
	Crystal Red Magma* 001 REDM
	Crystal Antique Pink* 001 ANTP
	Crystal Paradise Shine 001 PARSH
	Crystal Paradise Shine 2x 001 PARSH2
	Crystal Vitrail Medium* 001 VM
	Crystal Lilac Shadow 001 LISH
	Crystal Heliotrope* 001 HEL
	Crystal Metallic Blue 2x* 001 METBL2
	Crystal Blue Shade* 001 BLSH
	Crystal Scarabaeus Green*/*** 001 SCGR
	Crystal Rainbow Dark 2x* 001 RABDK2
	Crystal Iridescent Green* 001 IRIG
	Crystal Iridescent Green 2x* 001 IRIG2
	Crystal Dorado* 001 DOR

	Crystal Dorado 2x* 001 DOR2
	Crystal Metallic Light Gold 2x* 001 MLGLD2
	Crystal Bronze Shade* 001 BRSH
	Crystal Satin* 001 SAT
	Crystal Light Chrome* 001 LTCH
	Crystal Light Chrome 2x* 001 LTCH2
	Crystal Comet Argent Light* 001 CAL
	Crystal Silver Night* 001 SINI
	Crystal Silver Night 2x* 001 SINI2
	Jet Hematite* 280 HEM
	Jet Hematite 2x* 280 HEM2

FULL COATING

	Crystal Comet Argent Light FC* 001 CAL FC
	Crystal Aurore Boreale FC 001 AB FC
	Crystal Astral Pink FC 001 API FC
	Crystal Iridescent Green FC* 001 IRIG FC
	Crystal Bronze Shade FC* 001 BRSH FC
	Crystal Metallic Blue FC* 001 METBL FC

CRYSTAL PATINA

	Crystal White Patina 001 WHIPA
	Crystal Rose Patina* 001 ROSPA
	Crystal Silver Patina* 001 SILPA
	Crystal Gold Patina* 001 GOLPA
	Crystal Black Patina* 001 BLAPA

NUMERICAL ORDER

001	Crystal	001 MLGLD2	Crystal Metallic Light Gold 2x*	217	Indian Sapphire	281	White Alabaster
001 AB	Crystal Aurore Boreale	001 MOL	Crystal Moonlight	220	Smoked Topaz	283	Provence Lavender
001 AB2	Crystal Aurore Boreale 2x	001 PARSH	Crystal Paradise Shine	221	Light Smoked Topaz	284	Greige
001 ABSAT	Crystal Aurore Boreale Satin*	001 PARSH2	Crystal Paradise Shine 2x	223	Light Rose	285	Air Blue Opal
001 AB FC	Crystal Aurore Boreale FC	001 RABDK2	Crystal Rainbow Dark 2x*	225	Smoky Quartz	286	Mocca
001 ANTP	Crystal Antique Pink*	001 REDM	Crystal Red Magma*	226	Light Topaz	288	Dark Indigo
001 API	Crystal Astral Pink*	001 ROGL	Crystal Rose Gold*	227	Light Siam	289	Indian Pink
001 BLAPA	Crystal Black Patina*	001 ROGL2	Crystal Rose Gold 2x*	228	Olivine	291	Fern Green
001 BLSH	Crystal Blue Shade*	001 ROSPA	Crystal Rose Patina*	229	Blue Zircon	292	Sunflower
001 BRSH	Crystal Bronze Shade*	001 SAT	Crystal Satin*	231	Yellow Opal	294	Chrysolite Opal
001 BRSH FC	Crystal Bronze Shade FC*	001 SCGR	Crystal Scarabaeus Green*/***	234	White Opal	319	Vintage Rose
001 CAL	Crystal Comet Argent Light*	001 SINI	Crystal Silver Night*	236	Hyacinth	360	Erinte
001 CAL FC	Crystal Comet Argent Light FC*	001 SINI2	Crystal Silver Night 2x*	237	Fireopal	361	Light Azure
001 COP	Crystal Copper*	001 SILPA	Crystal Silver Patina*	238	Chrysolite	362	Light Peach
001 DOR	Crystal Dorado*	001 SSHA	Crystal Silver Shade	243	Capri Blue	371	Violet
001 DOR2	Crystal Dorado 2x*	001 VM	Crystal Vitrail Medium*	246	Light Colorado Topaz	379	Indicolite
001 GOLPA	Crystal Gold Patina*	001 WHIPA	Crystal White Patina	249	Citrine	383	Light Grey Opal
001 GSHA	Crystal Golden Shadow		Aquamarine	253	Graphite	390	Pacific Opal
001 HEL	Crystal Heliotrope*		Topaz	257	Blush Rose	391	Silk
001 IRIG	Crystal Iridescent Green*		Amethyst	259	Tangerine	395	Rose Water Opal
001 IRIG2	Crystal Iridescent Green 2x*		Emerald	261	Light Silk	398	Cyclamen Opal
001 IRIG FC	Crystal Iridescent Green FC*		Sapphire	262	Rose Peach	501	Ruby
001 LTCH	Crystal Light Chrome*		Montana	263	Light Turquoise	502	Fuchsia
001 LTCH2	Crystal Light Chrome 2x*		Siam	265	Smoky Mauve	508	Rosaline
001 LISH	Crystal Lilac Shadow		Rose	266	Denim Blue	515	Burgundy
001 LUMG	Crystal Luminous Green*		Light Sapphire	267	Turquoise	539	Tanzanite
001 METBL2	Crystal Metallic Blue 2x*		Light Amethyst	277	Purple Velvet	542	Padparadscha
001 METBL2 FC	Crystal Metallic Blue FC*		Jonquil	280	Jet		
001 METSH	Crystal Metallic Sunshine*		Peridot	280 HEM	Jet Hematite*		
001 METSH2	Crystal Metallic Sunshine 2x*		Black Diamond	280 HEM2	Jet Hematite 2x*		

ALPHABETICAL ORDER

Air Blue Opal (285)	Crystal Iridescent Green (001 IRIG)*	Denim Blue (266)	Olivine (228)
Amethyst (204)	Crystal Iridescent Green 2x (001 IRIG2)*	Emerald (205)	Pacific Opal (390)
Aquamarine (202)	Crystal Iridescent Green FC (001 IRIG FC)*	Erinte (360)	Padparadscha (542)
Black Diamond (215)	Crystal Light Chrome (001 LTCH)*	Fern Green (291)	Peridot (214)
Blue Zircon (229)	Crystal Light Chrome 2x (001 LTCH2)*	Fireopal (237)	Provence Lavender (283)
Blush Rose (257)	Crystal Lilac Shadow (001 LISH)	Fuchsia (502)	Purple Velvet (277)
Burgundy (515)	Crystal Luminous Green (001 LUMG)*	Graphite (253)	Rosaline (508)
Capri Blue (243)	Crystal Metallic Blue 2x (001 METBL2)*	Greige (284)	Rose (209)
Chrysolite (238)	Crystal Metallic Blue FC (001 METBL2 FC)*	Hyacinth (236)	Rose Peach (262)
Chrysolite Opal (294)	Crystal Metallic Light Gold 2x (001 MLGLD2)*	Indian Pink (289)	Rose Water Opal (395)
Citrine (249)	Crystal Metallic Sunshine (001 METSH)*	Indian Sapphire (217)	Ruby (501)
Crystal (001)	Crystal Metallic Sunshine 2x (001 METSH2)*	Indicolite (379)	Sapphire (206)
Crystal Antique Pink (001 ANTP)*	Crystal Moonlight (001 MOL)	Jet (280)	Siam (208)
Crystal Astral Pink (001 API)	Crystal Paradise Shine (001 PARSH)	Jet Hematite (280 HEM)*	Silk (391)
Crystal Aurore Boreale (001 AB)	Crystal Paradise Shine 2x (001 PARSH2)	Jet Hematite 2x (280 HEM2)*	Smoked Topaz (220)
Crystal Aurore Boreale 2x (001 AB2)	Crystal Rainbow Dark 2x (001 RABDK)*	Jonquil (213)	Smoky Mauve (265)
Crystal Aurore Boreale FC (001 AB FC)	Crystal Red Magma (001 REDM)*	Light Amethyst (212)	Smoky Quartz (225)
Crystal Aurore Boreale Satin (001 ABSAT)*	Crystal Rose Gold (001 ROGL)*	Light Azure (361)	Sunflower (292)
Crystal Black Patina (001 BLAPA)*	Crystal Rose Gold 2x (001 ROGL2)*	Light Colorado Topaz (246)	Tangerine (259)
Crystal Blue Shade (001 BLSH)*	Crystal Rose Patina (001 ROSPA)*	Light Grey Opal (383)	Tanzanite (539)
Crystal Bronze Shade (001 BRSH)*	Crystal Satin (001 SAT)*	Light Peach (362)	Topaz (203)
Crystal Bronze Shade FC (001 BRSH FC)*	Crystal Scarabaeus Green (001 SCGR)*/***	Light Rose (223)	Turquoise (267)
Crystal Comet Argent Light (001 CAL)*	Crystal Silver Night (001 SINI)*	Light Sapphire (211)	Vintage Rose (319)
Crystal Comet Argent Light FC (001 CAL FC)*	Crystal Silver Night 2x (001 SINI2)*	Light Siam (227)	Violet (371)
Crystal Copper (001 COP)*	Crystal Silver Patina (001 SILPA)*	Light Silk (261)	White Alabaster (281)
Crystal Dorado (001 DOR)*	Crystal Silver Shade (001 SSHA)	Light Smoked Topaz (221)	White Opal (234)
Crystal Dorado 2x (001 DOR2)*	Crystal Vitrail Medium (001 VM)*	Light Topaz (226)	Yellow Opal (231)
Crystal Gold Patina (001 GOLPA)*	Crystal White Patina (001 WHIPA)	Light Turquoise (263)	
Crystal Golden Shadow (001 GSHA)	Cyclamen Opal (398)	Mocca (286)	
Crystal Heliotrope (001 HEL)*	Dark Indigo (288)	Montana (207)	

For details on available colors and effects for each article within the product groups, please see the product matrix of the respective item in the Collection 2016.
For color and effect samples, please see the corresponding color chart.

Classic Colors/Effects:
This color range offers a wide choice of traditional Swarovski crystal colors and effects.

Exclusive Colors/Effects:
This color range is offered exclusively by Swarovski.

The plating resistance of effects is tested according to Swarovski's plating guidelines (SWAROVSKI.COM/PROFESSIONAL). Customers are advised to carry out their own tests if customers' plating parameters diverge from Swarovski plating guidelines.

* Crystals are not resistant to plating and similar processing.
*** designed by Jean Paul Gaultier

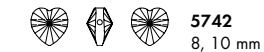
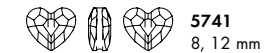
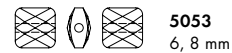
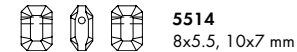
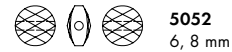
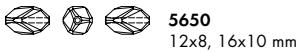
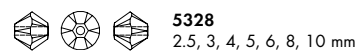
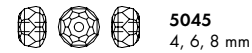
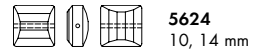
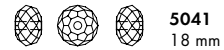
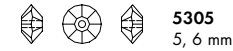
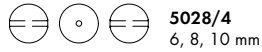
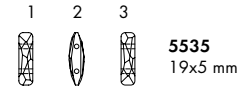
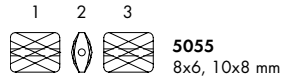
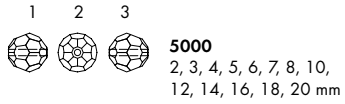
Colors and effects can appear different when illuminated with different light sources. Swarovski uses standard light source D50 for color decision and comparison. Slight changes in shades are unavoidable. Colors may vary according to cut and foiling.

The composition of Advanced Crystal is compliant with regulatory industry norms and laws regarding the restriction or prohibition of certain substances in the most relevant segments of our customers. Please note that the compliance of the crystal colors Citrine, Fireopal, Hyacinth, Light Siam, Siam and Yellow Opal vary to certain industry regulations. Those regulations are indicated with an (*) in the compliance overview. Indian Siam (option to Lt. Siam) and Tangerine (option to Sun) conform to all CLEAR-lists.

For further information please visit swarovski.com/professional

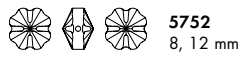
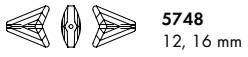
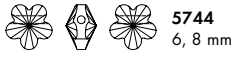
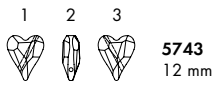
BEADS

SUMMARY



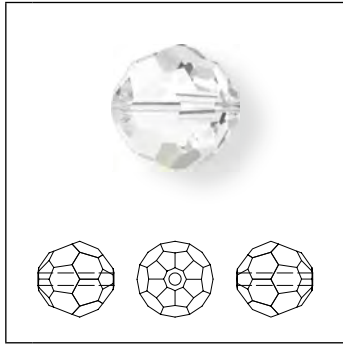
BEADS

SUMMARY



BEADS

5000



Size	2 mm	3 mm	4 mm	5 mm	6 mm	7 mm	8 mm	10 mm	12 mm	14 mm	16 mm	18 mm	20 mm
------	------	------	------	------	------	------	------	-------	-------	-------	-------	-------	-------

Crystal

Crystal (001)

Colors

Plain Colors

- Amethyst (204)
- Aquamarine (202)
- Black Diamond (215)
- Blue Zircon (229)
- Blush Rose (257)
- Capri Blue (243)
- Chrysolite (238)
- Dark Indigo (288)
- Denim Blue (266)
- Emerald (205)
- Erinite (360)
- Fern Green (291)
- Fireopal (237)
- Fuchsia (502)
- Graphite (253)
- Greige (284)
- Indian Pink (289)
- Indian Sapphire (217)
- Indicolite (379)
- Jet (280)
- Jonquil (213)
- Light Amethyst (212)
- Light Azure (361)
- Light Colorado Topaz (246)
- Light Rose (223)
- Light Sapphire (211)
- Light Siam (227)
- Light Silk (261)
- Light Smoked Topaz (221)
- Light Topaz (226)
- Light Turquoise (263)
- Montana (207)
- Olivine (228)
- Padparadscha (542)
- Peridot (214)
- Purple Velvet (277)
- Rose (209)

Crystal (001)	■	■	■	■	■	■	■	■	■	■	■	■	■
Amethyst (204)		■	■		■		■	■					
Aquamarine (202)		■	■		■		■	■					
Black Diamond (215)		■	■		■		■	■					
Blue Zircon (229)			■		■		■						
Blush Rose (257)		■	■		■		■						
Capri Blue (243)			■		■		■						
Chrysolite (238)			■		■		■						
Dark Indigo (288)			■		■		■	■					
Denim Blue (266)			■		■		■	■					
Emerald (205)		■			■		■						
Erinite (360)			■		■		■						
Fern Green (291)			■		■		■						
Fireopal (237)			■		■		■						
Fuchsia (502)	■	■	■		■		■	■					
Graphite (253)			■		■		■						
Greige (284)			■		■		■						
Indian Pink (289)			■		■		■						
Indian Sapphire (217)			■		■		■						
Indicolite (379)			■		■		■						
Jet (280)	■	■	■	■	■		■	■	■	■			
Jonquil (213)			■		■		■						
Light Amethyst (212)			■		■		■						
Light Azure (361)			■		■		■						
Light Colorado Topaz (246)		■	■		■		■						
Light Rose (223)		■	■		■		■						
Light Sapphire (211)			■		■		■						
Light Siam (227)		■	■		■		■	■					
Light Silk (261)			■		■		■						
Light Smoked Topaz (221)			■		■		■						
Light Topaz (226)			■		■		■	■					
Light Turquoise (263)		■	■		■		■	■					
Montana (207)			■		■		■						
Olivine (228)			■		■		■						
Padparadscha (542)			■		■		■						
Peridot (214)			■		■		■						
Purple Velvet (277)			■		■		■						
Rose (209)			■		■		■						

BEADS

03 BEADS

5000		Size	2 mm	3 mm	4 mm	5 mm	6 mm	7 mm	8 mm	10 mm	12 mm	14 mm	16 mm	18 mm	20 mm
	Rose Peach (262)				■		■		■						
	Sapphire (206)				■		■		■						
	Siam (208)		■	■		■		■		■					
	Silk (391)			■		■		■							
	Smoked Topaz (220)			■		■		■							
	Smoky Mauve (265)		■	■		■		■							
	Tangerine (259)		■	■		■		■							
	Tanzanite (539)				■		■		■						
	Topaz (203)				■		■		■						
	Turquoise (267)				■		■		■						
	Vintage Rose (319)				■		■		■						
	Violet (371)				■		■		■						
	White Alabaster (281)				■		■		■						
Opal Colors															
	Cyclamen Opal (398)				■		■		■						
	Pacific Opal (390)				■		■		■						
	White Opal (234)		■	■		■		■							
	Yellow Opal (231)				■		■		■						
Crystal Effects															
Transparent Effects															
	Crystal AB (001 AB)		■	■	■	■	■	■	■	■	■	■			
	Crystal Antique Pink (001 ANTP)				■		■		■						
	Crystal Blue Shade (001 BLSH)			■	■		■		■		■				
	Crystal Bronze Shade (001 BRSH)			■	■		■		■		■				
	Crystal Copper (001 COP)				■		■		■						
	Crystal Golden Shadow (001 GSHA)		■	■	■		■		■		■		■		
	Crystal Lilac Shadow (001 LISH)				■		■		■						
	Crystal Luminous Green (001 LUMG)				■		■		■						
	Crystal Moonlight (001 MOL)		■		■		■		■		■				
	Crystal Paradise Shine (001 PARSH)			■	■		■		■		■				
	Crystal Satin (001 SAT)				■		■		■						
	Crystal Silver Night (001 SINI)			■	■		■		■						
	Crystal Silver Shade (001 SSHA)		■	■	■		■		■						
	Crystal Vitrail Medium (001 VM)				■		■		■						
Metallic Effects															
	Crystal Dorado (001 DOR)				■		■		■						
	Crystal Iridescent Green (001 IRIG)			■	■		■		■		■				
	Crystal Light Chrome (001 LTCH)			■	■		■		■						
	Crystal Metallic Light Gold 2x (001 MLG2)		■		■		■		■						
	Crystal Metallic Sunshine (001 METSH)			■	■		■		■		■				

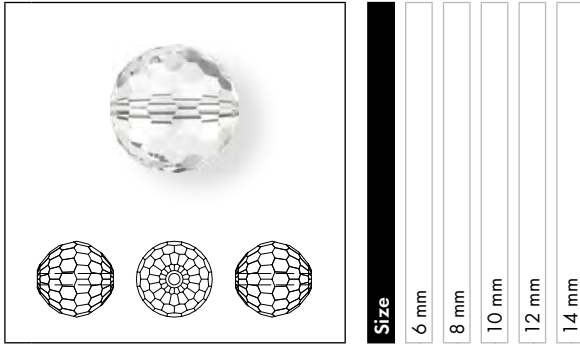
BEADS

5000		Size	2 mm	3 mm	4 mm	5 mm	6 mm	7 mm	8 mm	10 mm	12 mm	14 mm	16 mm	18 mm	20 mm
		Crystal Rose Gold (001 ROGL)			■	■		■		■					
Crystal Scarabaeus Green*** (001 SCGR)				■		■		■							
Full Coating															
Crystal AB FC (001 AB FC)				■		■		■							
Crystal Astral Pink FC (001 API FC)				■		■		■							
Crystal Bronze Shade FC (001 BRSH FC)				■		■		■							
Crystal Comet Argent Light FC (001 CAL FC)				■		■		■							
Crystal Iridescent Green FC (001 IRIG FC)				■		■		■							
Crystal Metallic Blue FC (001 METBL FC)				■		■		■							
Color Effects															
Transparent Effects															
Amethyst AB (204 AB)				■		■		■							
Aquamarine AB (202 AB)				■		■		■							
Jet AB (280 AB)				■		■		■							
Light Rose AB (223 AB)				■		■		■							
Light Siam AB (227 AB)				■		■		■							
Rose AB (209 AB)				■		■		■							
Metallic Effects															
Jet Hematite (280 HEM)			■	■		■		■							
Jet Hematite 2x (280 HEM2)			■	■		■		■							

*** designed by Jean Paul Gaultier

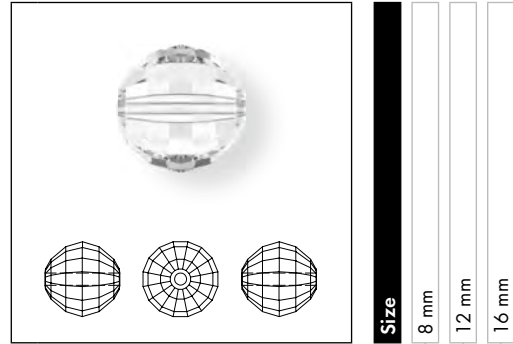
BEADS

5003



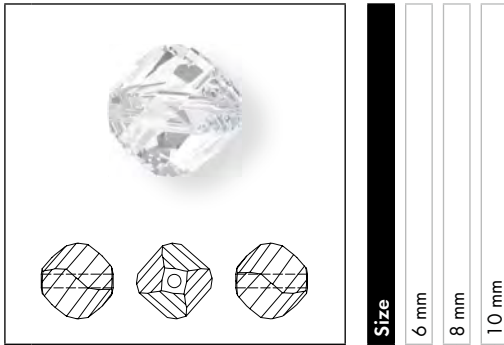
Crystal	6 mm	8 mm	10 mm	12 mm	14 mm
Crystal (001)	■	■	■	■	■
Crystal Effects					
Transparent Effects					
Crystal AB (001 AB)	■	■	■	■	■

5005 Chessboard Bead



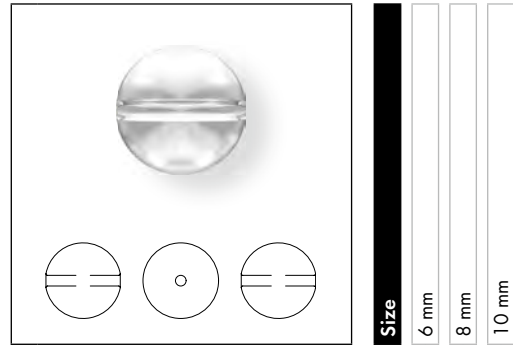
Crystal	8 mm	12 mm	16 mm
Crystal (001)	■	■	■
Crystal Effects			
Transparent Effects			
Crystal AB (001 AB)	■	■	■
Crystal Golden Shadow (001 GSHA)	■	■	■

5020 Helix Bead



Crystal	6 mm	8 mm	10 mm
Crystal (001)	■	■	■
Crystal Effects			
Transparent Effects			
Crystal AB (001 AB)	■	■	■
Crystal Golden Shadow (001 GSHA)	■	■	■

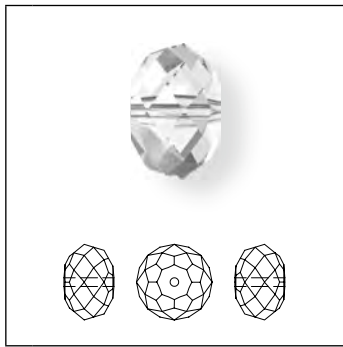
5028/4 Crystal Globe Bead



Crystal	6 mm	8 mm	10 mm
Crystal (001)	■	■	■
Crystal Effects			
Transparent Effects			
Crystal AB (001 AB)	■	■	■
Crystal Antique Pink (001 ANTP)	■	■	■
Crystal Blue Shade (001 BLSH)	■	■	■
Crystal Golden Shadow (001 GSHA)	■	■	■
Crystal Paradise Shine (001 PARSH)	■	■	■
Metallic Effects			
Crystal Metallic Sunshine (001 METSH)	■	■	■
Crystal Iridescent Green (001 IRIG)	■	■	■

BEADS

5040 Briolette Bead



Size	4 mm	6 mm	8 mm	12 mm	18 mm
------	------	------	------	-------	-------

Crystal

Crystal (001)	■	■	■	■	■
---------------	---	---	---	---	---

Colors

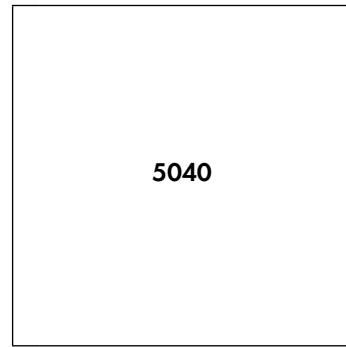
Plain Colors

Amethyst (204)	■	■	■		
Aquamarine (202)		■	■		
Black Diamond (215)		■	■		
Blush Rose (257)	■	■	■		
Denim Blue (266)		■	■		
Erinite (360)		■	■		
Indicolite (379)		■	■		
Jet (280)	■	■	■		
Jonquil (213)		■	■		
Light Rose (223)	■	■	■		
Light Siam (227)	■	■	■		
Light Turquoise (263)	■	■	■		
Padparadscha (542)		■	■		
Peridot (214)		■	■		
Purple Velvet (277)		■	■		
Siam (208)	■	■	■		
Silk (391)		■	■		
Smoky Mauve (265)	■	■	■		
Tangerine (259)	■	■	■		
Tanzanite (539)		■	■		
Vintage Rose (319)		■	■		
Violet (371)		■	■		

Crystal Effects

Transparent Effects

Crystal AB (001 AB)	■	■	■	■	■
Crystal Bronze Shade (001 BRSH)	■	■	■		
Crystal Copper (001 COP)	■	■	■		
Crystal Golden Shadow (001 GSHA)	■	■	■	■	
Crystal Moonlight (001 MOL)		■	■		
Crystal Paradise Shine (001 PARSH)	■	■	■		
Crystal Red Magma (001 REDM)	■	■	■	■	
Crystal Silver Night (001 SINI)	■	■	■	■	
Crystal Silver Shade (001 SSHA)	■	■	■	■	



Size	4 mm	6 mm	8 mm	12 mm	18 mm
------	------	------	------	-------	-------

Metallic Effects

Crystal Iridescent Green (001 IRIG)	■	■	■		
Crystal Light Chrome (001 LTCH)		■	■	■	■
Crystal Metallic Sunshine (001 METSH)	■	■	■		
Crystal Rainbow Dark 2x (001 RBDK2)		■	■		
Crystal Scarabaeus Green*** (001 SCGR)	■	■	■		

*** designed by Jean Paul Gaultier

BEADS

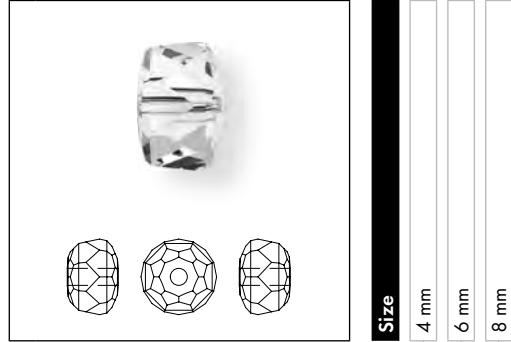
5041 Briolette Bead (large hole)



Size
18 mm

- Crystal**
- Crystal (001)
- Crystal Effects**
- Transparent Effects**
- Crystal AB (001 AB)
- Crystal Golden Shadow (001 GSHA)

5045 Rondelle Bead



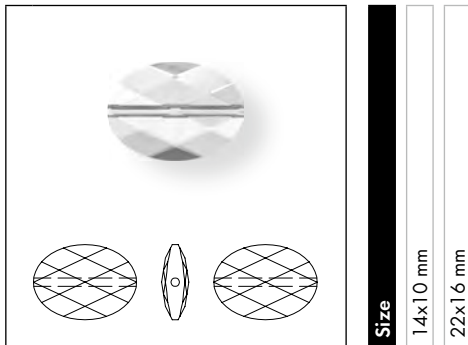
Size
4 mm
6 mm
8 mm

- Crystal**
- Crystal (001)
- Colors**
- Plain Colors**
- Denim Blue (266)
- Emerald (205)
- Fuchsia (502)
- Jet (280)
- Smoky Quartz (225)
- Opal Colors**
- Rose Water Opal (395)
- White Opal (234)
- Crystal Effects**
- Transparent Effects**
- Crystal AB (001 AB)
- Crystal Paradise Shine (001 PARSH)
- Crystal Silver Night (001 SINI)
- Metallic Effects**
- Crystal Light Chrome (001 LTCH)
- Crystal Metallic Sunshine (001 METSH)
- Crystal Scarabaeus Green*** (001 SCGR)

*** designed by Jean Paul Gaultier

BEADS

5050 Oval Bead



Size

14x10 mm

22x16 mm

Crystal

Crystal (001)

Colors

Plain Colors

Jet (280)

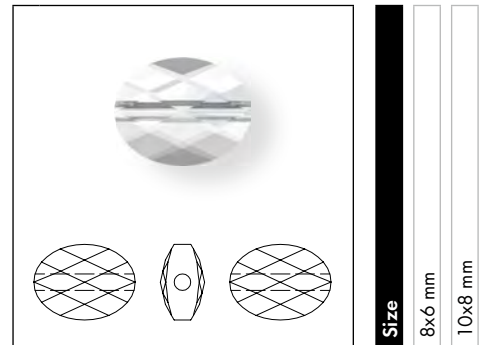
Crystal Effects

Transparent Effects

Crystal AB (001 AB)

Crystal Golden Shadow (001 GSHA)

5051 Mini Oval Bead



Size

8x6 mm

10x8 mm

Crystal

Crystal (001)

Colors

Plain Colors

Amethyst (204)

Aquamarine (202)

Black Diamond (215)

Emerald (205)

Fern Green (291)

Indicolite (379)

Jet (280)

Light Silk (261)

Light Turquoise (263)

Montana (207)

Rose (209)

Siam (208)

Smoked Topaz (220)

Sunflower (292)

Tangerine (259)

Tanzanite (539)

Crystal Effects

Transparent Effects

Crystal AB (001 AB)

Crystal Antique Pink (001 ANTP)

Crystal Blue Shade (001 BLSH)

Crystal Bronze Shade (001 BRSH)

Crystal Golden Shadow (001 GSHA)

Crystal Lilac Shadow (001 LISH)

Crystal Paradise Shine (001 PARSH)

Crystal Red Magma (001 REDM)

Crystal Silver Night (001 SINI)

Crystal Silver Shade (001 SSHA)

Metallic Effects

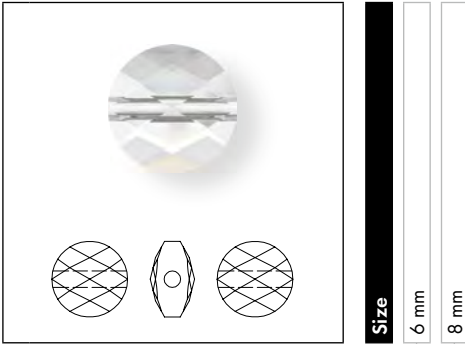
Crystal Iridescent Green (001 IRIG)

Crystal Rose Gold (001 ROGL)

Crystal Rose Gold 2x (001 ROGL2)

BEADS

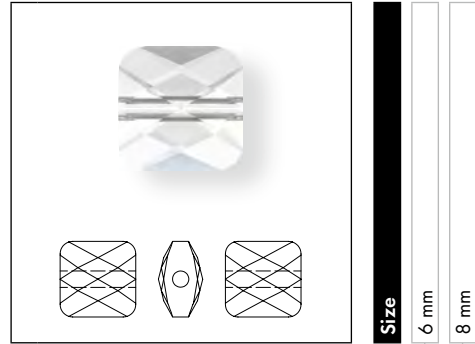
5052 Mini Round Bead



Size
6 mm
8 mm

Crystal	
Crystal (001)	<input type="checkbox"/>
Colors	
Plain Colors	
Amethyst (204)	<input type="checkbox"/>
Aquamarine (202)	<input type="checkbox"/>
Black Diamond (215)	<input type="checkbox"/>
Emerald (205)	<input type="checkbox"/>
Fern Green (291)	<input type="checkbox"/>
Indicolite (379)	<input type="checkbox"/>
Jet (280)	<input type="checkbox"/>
Light Silk (261)	<input type="checkbox"/>
Light Turquoise (263)	<input type="checkbox"/>
Montana (207)	<input type="checkbox"/>
Rose (209)	<input type="checkbox"/>
Siam (208)	<input type="checkbox"/>
Smoked Topaz (220)	<input type="checkbox"/>
Sunflower (292)	<input type="checkbox"/>
Tangerine (259)	<input type="checkbox"/>
Tanzanite (539)	<input type="checkbox"/>
Crystal Effects	
Transparent Effects	
Crystal AB (001 AB)	<input type="checkbox"/>
Crystal Antique Pink (001 ANTP)	<input type="checkbox"/>
Crystal Blue Shade (001 BLSH)	<input type="checkbox"/>
Crystal Bronze Shade (001 BRSH)	<input type="checkbox"/>
Crystal Golden Shadow (001 GSHA)	<input type="checkbox"/>
Crystal Lilac Shadow (001 LISH)	<input type="checkbox"/>
Crystal Paradise Shine (001 PARSH)	<input type="checkbox"/>
Crystal Red Magma (001 REDM)	<input type="checkbox"/>
Crystal Silver Night (001 SINI)	<input type="checkbox"/>
Crystal Silver Shade (001 SSHA)	<input type="checkbox"/>
Metallic Effects	
Crystal Iridescent Green (001 IRIG)	<input type="checkbox"/>
Crystal Rose Gold (001 ROGL)	<input type="checkbox"/>
Crystal Rose Gold 2x (001 ROGL2)	<input type="checkbox"/>

5053 Mini Square Bead

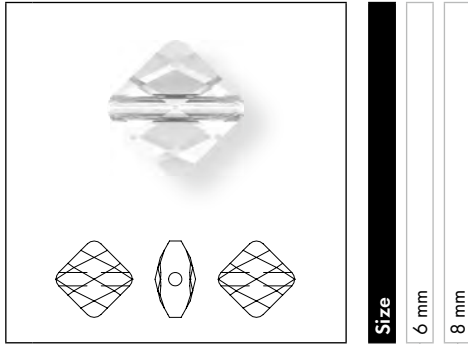


Size
6 mm
8 mm

Crystal	
Crystal (001)	<input type="checkbox"/>
Colors	
Plain Colors	
Amethyst (204)	<input type="checkbox"/>
Aquamarine (202)	<input type="checkbox"/>
Black Diamond (215)	<input type="checkbox"/>
Emerald (205)	<input type="checkbox"/>
Fern Green (291)	<input type="checkbox"/>
Indicolite (379)	<input type="checkbox"/>
Jet (280)	<input type="checkbox"/>
Light Silk (261)	<input type="checkbox"/>
Light Turquoise (263)	<input type="checkbox"/>
Montana (207)	<input type="checkbox"/>
Rose (209)	<input type="checkbox"/>
Siam (208)	<input type="checkbox"/>
Smoked Topaz (220)	<input type="checkbox"/>
Sunflower (292)	<input type="checkbox"/>
Tangerine (259)	<input type="checkbox"/>
Tanzanite (539)	<input type="checkbox"/>
Crystal Effects	
Transparent Effects	
Crystal AB (001 AB)	<input type="checkbox"/>
Crystal Antique Pink (001 ANTP)	<input type="checkbox"/>
Crystal Blue Shade (001 BLSH)	<input type="checkbox"/>
Crystal Bronze Shade (001 BRSH)	<input type="checkbox"/>
Crystal Golden Shadow (001 GSHA)	<input type="checkbox"/>
Crystal Lilac Shadow (001 LISH)	<input type="checkbox"/>
Crystal Paradise Shine (001 PARSH)	<input type="checkbox"/>
Crystal Red Magma (001 REDM)	<input type="checkbox"/>
Crystal Silver Night (001 SINI)	<input type="checkbox"/>
Crystal Silver Shade (001 SSHA)	<input type="checkbox"/>
Metallic Effects	
Crystal Iridescent Green (001 IRIG)	<input type="checkbox"/>
Crystal Rose Gold (001 ROGL)	<input type="checkbox"/>
Crystal Rose Gold 2x (001 ROGL2)	<input type="checkbox"/>

BEADS

5054 Mini Rhombus Bead



Size
6 mm
8 mm

Crystal

Crystal (001)

Colors

Plain Colors

- Indicolite (379)
- Jet (280)
- Light Silk (261)
- Light Turquoise (263)
- Rose (209)
- Siam (208)
- Tangerine (259)

Crystal Effects

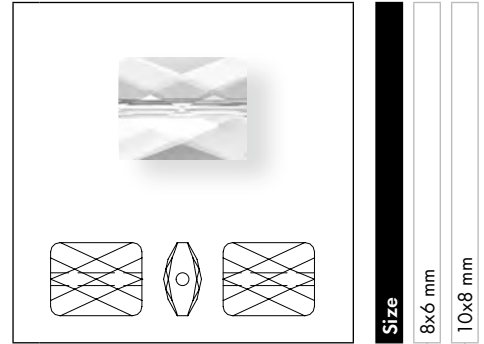
Transparent Effects

- Crystal AB (001 AB)
- Crystal Antique Pink (001 ANTP)
- Crystal Blue Shade (001 BLSH)
- Crystal Bronze Shade (001 BRSH)
- Crystal Golden Shadow (001 GSHA)
- Crystal Lilac Shadow (001 LISH)
- Crystal Paradise Shine (001 PARSH)
- Crystal Red Magma (001 REDM)
- Crystal Silver Night (001 SINI)
- Crystal Silver Shade (001 SSHA)

Metallic Effects

- Crystal Iridescent Green (001 IRIG)
- Crystal Rose Gold (001 ROGL)

5055 Mini Rectangle Bead



Size
8x6 mm
10x8 mm

Crystal

Crystal (001)

Colors

Plain Colors

- Indicolite (379)
- Jet (280)
- Light Silk (261)
- Light Turquoise (263)
- Rose (209)
- Siam (208)
- Tangerine (259)

Crystal Effects

Transparent Effects

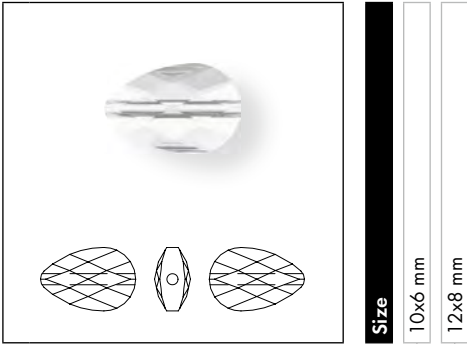
- Crystal AB (001 AB)
- Crystal Antique Pink (001 ANTP)
- Crystal Blue Shade (001 BLSH)
- Crystal Bronze Shade (001 BRSH)
- Crystal Golden Shadow (001 GSHA)
- Crystal Lilac Shadow (001 LISH)
- Crystal Paradise Shine (001 PARSH)
- Crystal Red Magma (001 REDM)
- Crystal Silver Night (001 SINI)
- Crystal Silver Shade (001 SSHA)

Metallic Effects

- Crystal Iridescent Green (001 IRIG)
- Crystal Rose Gold (001 ROGL)

BEADS

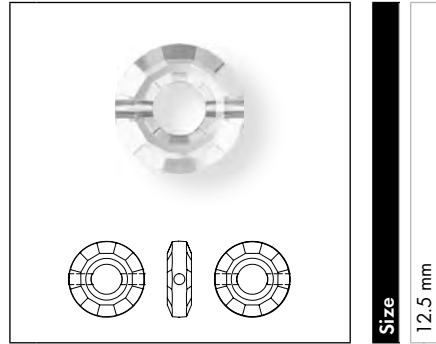
5056 Mini Drop Bead



Size
10x6 mm
12x8 mm

- Crystal**
- Crystal (001)
- Colors**
- Plain Colors**
- Indicolite (379)
- Jet (280)
- Light Silk (261)
- Light Turquoise (263)
- Rose (209)
- Siam (208)
- Tangerine (259)
- Crystal Effects**
- Transparent Effects**
- Crystal AB (001 AB)
- Crystal Antique Pink (001 ANTP)
- Crystal Blue Shade (001 BLSH)
- Crystal Bronze Shade (001 BRSH)
- Crystal Golden Shadow (001 GSHA)
- Crystal Lilac Shadow (001 LISH)
- Crystal Paradise Shine (001 PARSH)
- Crystal Red Magma (001 REDM)
- Crystal Silver Night (001 SINI)
- Crystal Silver Shade (001 SSHA)
- Metallic Effects**
- Crystal Iridescent Green (001 IRIG)
- Crystal Rose Gold (001 ROGL)

5139 Ring Bead

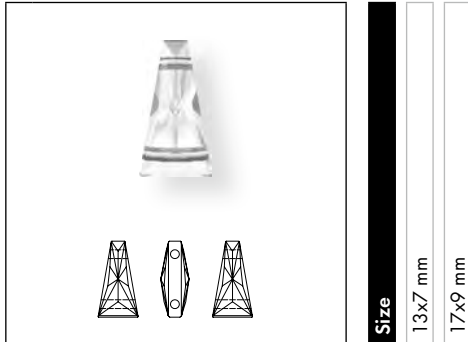


Size
12.5 mm

- Crystal**
- Crystal (001)
- Crystal Effects**
- Transparent Effects**
- Crystal AB (001 AB)
- Crystal Golden Shadow (001 GSHA)
- Crystal Silver Night (001 SINI)

BEADS

5181 Keystone Bead (two holes)



Size

13x7 mm

17x9 mm

Crystal

Crystal (001)

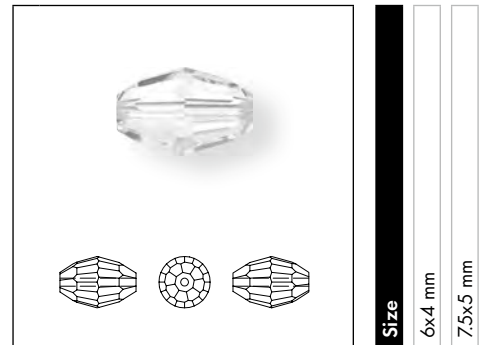
Crystal Effects

Transparent Effects

Crystal AB (001 AB)

Crystal Golden Shadow (001 GSHA)

5200



Size

6x4 mm

7.5x5 mm

Crystal

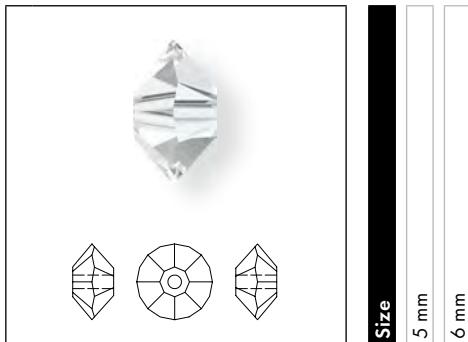
Crystal (001)

Crystal Effects

Transparent Effects

Crystal AB (001 AB)

5305



Size

5 mm

6 mm

Crystal

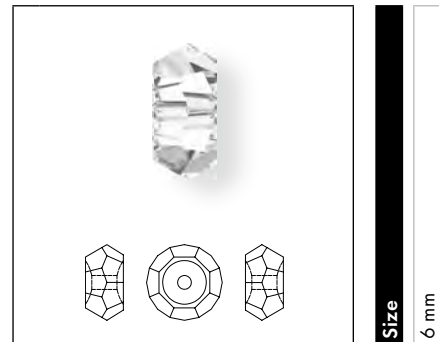
Crystal (001)

Crystal Effects

Transparent Effects

Crystal AB (001 AB)

5308



Size

6 mm

Crystal

Crystal (001)

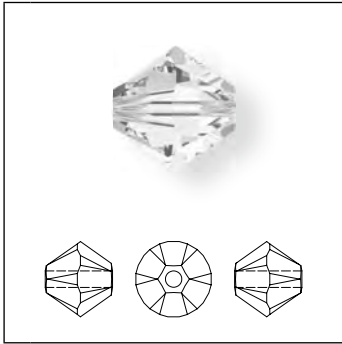
Crystal Effects

Transparent Effects

Crystal AB (001 AB)

BEADS

5328 XILION Bead



Size	2.5 mm	3 mm	4 mm	5 mm	6 mm	8 mm	10 mm
------	--------	------	------	------	------	------	-------

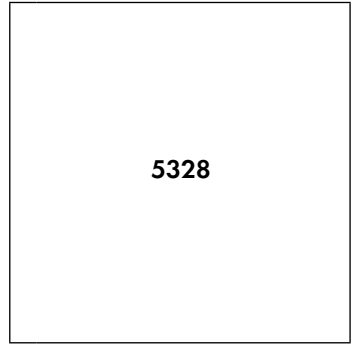
Crystal

Crystal (001)

Colors

Plain Colors

- Amethyst (204)
- Aquamarine (202)
- Black Diamond (215)
- Blue Zircon (229)
- Blush Rose (257)
- Burgundy (515)
- Capri Blue (243)
- Chrysolite (238)
- Citrine (249)
- Dark Indigo (288)
- Denim Blue (266)
- Emerald (205)
- Erinte (360)
- Fern Green (291)
- Fireopal (237)
- Fuchsia (502)
- Graphite (253)
- Greige (284)
- Hyacinth (236)
- Indian Pink (289)
- Indian Sapphire (217)
- Indicolite (379)
- Jet (280)
- Jonquil (213)
- Light Amethyst (212)
- Light Azore (361)
- Light Colorado Topaz (246)
- Light Peach (362)
- Light Rose (223)
- Light Sapphire (211)
- Light Siam (227)
- Light Silk (261)
- Light Smoked Topaz (221)
- Light Topaz (226)
- Light Turquoise (263)
- Mocca (286)
- Montana (207)



Size	2.5 mm	3 mm	4 mm	5 mm	6 mm	8 mm	10 mm
------	--------	------	------	------	------	------	-------

- Olivine (228)
 - Padparadscha (542)
 - Peridot (214)
 - Provence Lavender (283)
 - Purple Velvet (277)
 - Rosaline (508)
 - Rose (209)
 - Rose Peach (262)
 - Ruby (501)
 - Sapphire (206)
 - Siam (208)
 - Silk (391)
 - Smoked Topaz (220)
 - Smoky Mauve (265)
 - Smoky Quartz (225)
 - Sunflower (292)
 - Tangerine (259)
 - Tanzanite (539)
 - Topaz (203)
 - Turquoise (267)
 - Vintage Rose (319)
 - Violet (371)
 - White Alabaster (281)
- ### Opal Colors
- Air Blue Opal (285)
 - Chrysolite Opal (294)
 - Cyclamen Opal (398)
 - Light Grey Opal (383)
 - Pacific Opal (390)
 - Rose Water Opal (395)
 - White Opal (234)
 - Yellow Opal (231)
- ### Crystal Effects
- #### Transparent Effects
- Crystal AB (001 AB)
 - Crystal AB 2x (001 AB2)
 - Crystal AB Satin (001 ABSAT)
 - Crystal Antique Pink (001 ANTP)
 - Crystal Astral Pink (001 API)
 - Crystal Blue Shade (001 BLSH)
 - Crystal Bronze Shade (001 BRSH)

BEADS

5328	Size						
	2.5 mm	3 mm	4 mm	5 mm	6 mm	8 mm	10 mm
Crystal Copper (001 COP)		■	■	■	■		
Crystal Golden Shadow (001 GSHA)	■	■	■	■	■	■	
Crystal Heliotrope (001 HEL)		■	■				
Crystal Lilac Shadow (001 LISH)		■	■	■	■		
Crystal Luminous Green (001 LUMG)		■	■	■	■		
Crystal Moonlight (001 MOL)		■	■	■	■		
Crystal Paradise Shine (001 PARSH)		■	■	■	■		
Crystal Paradise Shine 2x (001 PARSH2)			■				
Crystal Red Magma (001 REDM)		■	■				
Crystal Satin (001 SAT)		■	■	■	■		
Crystal Silver Night (001 SINI)		■	■	■	■		
Crystal Silver Shade (001 SSHA)	■	■	■	■	■	■	
Crystal Vitrail Medium (001 VM)		■	■		■		
Metallic Effects							
Crystal CAL (001 CAL)		■	■	■	■		
Crystal Dorado 2x (001 DOR2)		■	■	■	■		
Crystal Iridescent Green (001 IRIG)		■	■	■	■		
Crystal Iridescent Green 2x (001 IRIG2)			■				
Crystal Light Chrome (001 LTCH)		■	■	■	■		
Crystal Light Chrome 2x (001 LTCH2)			■				
Crystal Metallic Blue 2x (001 METBL2)		■	■	■	■		
Crystal Metallic Light Gold 2x (001 MLG2)		■	■	■	■		
Crystal Metallic Sunshine (001 METSH)		■	■	■	■		
Crystal Metallic Sunshine 2x (001 METSH2)			■				
Crystal Rainbow Dark 2x (001 RBDK2)				■	■		
Crystal Rose Gold (001 ROGL)		■	■	■	■		
Crystal Rose Gold 2x (001 ROGL2)		■	■	■	■		
Crystal Scarabaeus Green*** (001 SCGR)		■	■	■	■		
Color Effects							
Transparent Effects							
Amethyst AB (204 AB)		■	■	■	■		
Amethyst AB 2x (204 AB2)			■				
Aquamarine AB (202 AB)		■	■	■	■		
Aquamarine AB 2x (202 AB2)			■				
Aquamarine Satin (202 SAT)			■				
Black Diamond AB (215 AB)		■	■	■	■		
Black Diamond AB 2x (215 AB2)			■				
Blue Zircon AB (229 AB)			■				
Blue Zircon AB 2x (229 AB2)				■			
Blush Rose AB (257 AB)			■				
Blush Rose AB 2x (257 AB2)				■			

5328	Size						
	2.5 mm	3 mm	4 mm	5 mm	6 mm	8 mm	10 mm
Capri Blue AB (243 AB)		■	■				
Capri Blue AB 2x (243 AB2)			■				
Chrysolite AB (238 AB)			■				
Chrysolite AB 2x (238 AB2)			■				
Emerald AB (205 AB)		■	■				
Emerald AB 2x (205 AB2)			■				
Erinite AB (360 AB)			■				
Fireopal AB (237 AB)			■				
Fireopal AB 2x (237 AB2)			■				
Fuchsia AB (502 AB)		■	■				
Fuchsia AB 2x (502 AB2)			■				
Graphite AB (253 AB)			■				
Graphite AB 2x (253 AB2)			■				
Hyacinth AB (236 AB)			■				
Hyacinth AB 2x (236 AB2)			■				
Indian Sapphire AB (217 AB)			■				
Indicolite AB (379 AB)			■			■	
Jet AB (280 AB)		■	■	■	■		
Jet AB 2x (280 AB2)		■	■	■	■		
Jonquil AB (213 AB)			■	■			
Jonquil AB 2x (213 AB2)			■	■			
Jonquil Satin (213 SAT)			■	■			
Light Amethyst AB (212 AB)		■	■				
Light Amethyst AB 2x (212 AB2)			■				
Light Azore AB (361 AB)			■				
Light Azore AB 2x (361 AB2)			■				
Light Colorado Topaz AB (246 AB)		■	■	■	■		
Light Colorado Topaz AB 2x (246 AB2)			■				
Light Peach AB (362 AB)			■				
Light Peach Satin (362 SAT)			■				
Light Rose AB (223 AB)		■	■	■	■		
Light Rose AB 2x (223 AB2)			■				
Light Rose Satin (223 SAT)			■				
Light Sapphire AB (211 AB)		■	■				
Light Sapphire AB 2x (211 AB2)			■				
Light Siam AB (227 AB)		■	■	■	■		
Light Siam AB 2x (227 AB2)			■				
Light Siam Satin (227 SAT)			■				
Light Smoked Topaz AB (221 AB)			■				
Light Topaz AB (226 AB)			■				
Light Topaz AB 2x (226 AB2)			■				

*** designed by Jean Paul Gaultier

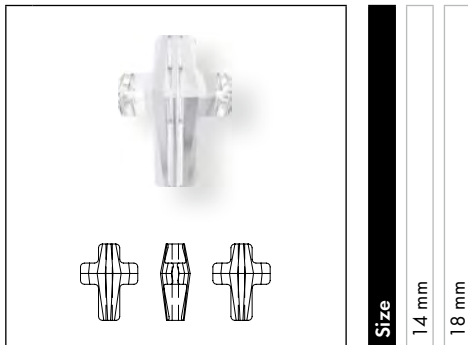
BEADS

03 BEADS

	5328							
	Size	2.5 mm	3 mm	4 mm	5 mm	6 mm	8 mm	10 mm
Montana AB (207 AB)			■	■				
Montana AB 2x (207 AB2)				■				
Olivine AB (228 AB)			■	■				
Pacific Opal AB 2x (390 AB2)				■				
Peridot AB (214 AB)				■				
Peridot AB 2x (214 AB2)				■				
Purple Velvet AB (277 AB)				■				
Rose AB (209 AB)			■	■	■	■		
Rose AB 2x (209 AB2)				■				
Rose Satin (209 SAT)				■				
Rose Water Opal AB 2x (395 AB2)				■				
Ruby AB (501 AB)				■				
Sapphire AB (206 AB)			■	■				
Sapphire AB 2x (206 AB2)				■				
Siam AB (208 AB)				■	■			
Siam AB 2x (208 AB2)				■				
Smoked Topaz AB (220 AB)				■				
Smoky Mauve AB (265 AB)				■				
Smoky Mauve AB 2x (265 AB2)				■				
Tangerine AB (259 AB)				■				
Tangerine AB 2x (259 AB2)				■				
Tanzanite AB (539 AB)			■	■	■	■		
Tanzanite AB 2x (539 AB2)				■				
Topaz AB (203 AB)				■				
Topaz AB 2x (203 AB2)				■				
Turquoise AB (267 AB)			■	■				
Turquoise AB 2x (267 AB2)				■				
Violet AB (371 AB)			■	■		■		
Violet AB 2x (371 AB2)				■				
White Alabaster AB 2x (281 AB2)				■				
White Opal AB (234 AB)			■	■				
White Opal AB 2x (234 AB2)				■				
Yellow Opal AB (231 AB)				■				
Yellow Opal AB 2x (231 AB2)				■				
Metallic Effects								
Jet Hematite (280 HEM)			■	■	■	■		
Jet Hematite 2x (280 HEM2)			■	■	■	■		

BEADS

5378 Cross Bead



Crystal

Crystal (001)

Colors

Plain Colors

Jet (280)

Light Turquoise (263)

Smoky Mauve (265)

Crystal Effects

Transparent Effects

Crystal AB (001 AB)

Crystal Astral Pink (001 API)

Crystal Golden Shadow (001 GSHA)

Crystal Lilac Shadow (001 LISH)

Crystal Paradise Shine (001 PARSH)

Crystal Silver Night (001 SINI)

Crystal Silver Night 2x (001 SINI2)

Crystal Silver Shade (001 SSHA)

Metallic Effects

Crystal Iridescent Green (001 IRIG)

Crystal Metallic Light Gold 2x (001 MLG2)

Crystal Rose Gold 2x (001 ROGL2)

Crystal Patina Effect

Crystal Black Patina (001 BLAPA)

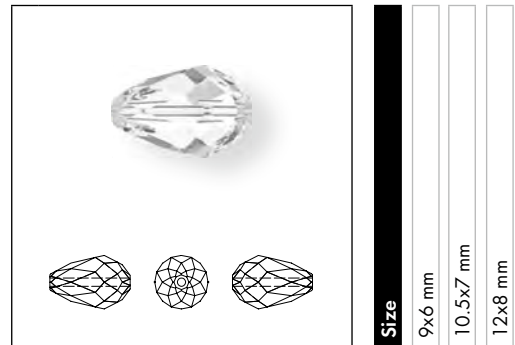
Crystal Gold Patina (001 GOLPA)

Crystal Rose Patina (001 ROSPA)

Crystal Silver Patina (001 SILPA)

Crystal White Patina (001 WHIPA)

5500



Crystal

Crystal (001)

Colors

Plain Colors

Jet (280)

Siam (208)

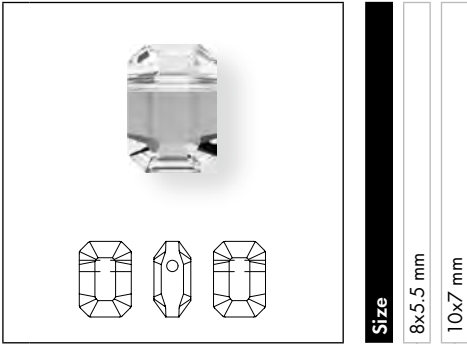
Crystal Effects

Transparent Effects

Crystal AB (001 AB)

BEADS

5514 Pendulum Bead



Size

8x5.5 mm

10x7 mm

Crystal

Crystal (001)

Colors

Plain Colors

Emerald (205)

Jet (280)

Smoky Quartz (225)

Opal Colors

Rose Water Opal (395)

White Opal (234)

Crystal Effects

Transparent Effects

Crystal AB (001 AB)

Crystal Paradise Shine (001 PARSH)

Crystal Silver Night (001 SINI)

Metallic Effects

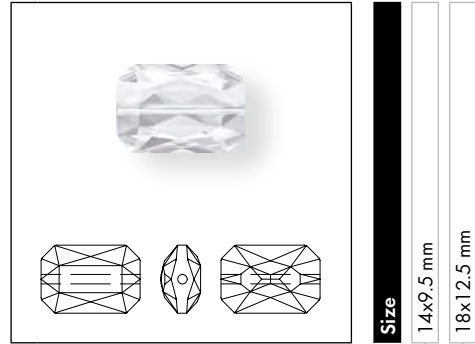
Crystal Metallic Sunshine (001 METSH)

Crystal Patina Effect

Crystal Gold Patina (001 GOLPA)

Crystal White Patina (001 WHIPA)

5515 Emerald Cut Bead



Size

14x9.5 mm

18x12.5 mm

Crystal

Crystal (001)

Colors

Plain Colors

Amethyst (204)

Aquamarine (202)

Blush Rose (257)

Emerald (205)

Jet (280)

Rosaline (508)

Smoky Quartz (225)

Opal Colors

White Opal (234)

Crystal Effects

Transparent Effects

Crystal AB (001 AB)

Crystal Golden Shadow (001 GSHA)

Crystal Paradise Shine (001 PARSH)

Metallic Effects

Crystal Metallic Sunshine (001 METSH)

Crystal Patina Effect

Crystal Gold Patina (001 GOLPA)

BEADS

5523 Cosmic Bead



Size
12 mm
16 mm

Crystal

Crystal (001)

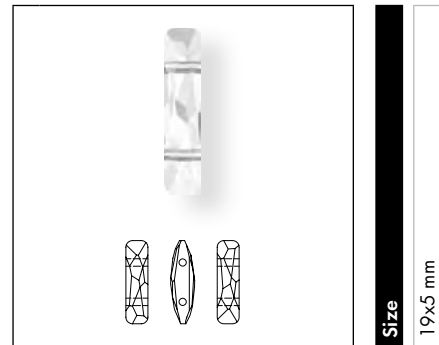
Crystal Effects

Transparent Effects

Crystal AB (001 AB)

Crystal Golden Shadow (001 GSHA)

5535 Column Bead (two holes)



Size
19x5 mm

Crystal

Crystal (001)

Crystal Effects

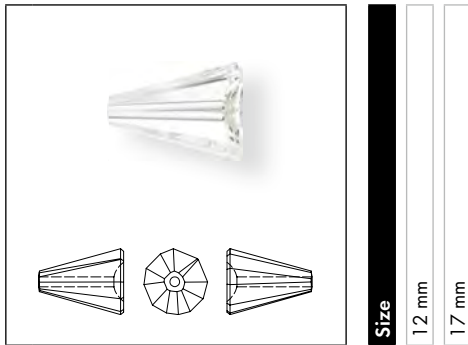
Transparent Effects

Crystal AB (001 AB)

Metallic Effects

Crystal Rose Gold (001 ROGL)

5540 Artemis Bead



Size
12 mm
17 mm

Crystal

Crystal (001)

Colors

Plain Colors

Amethyst (204)

Aquamarine (202)

Dark Indigo (288)

Jet (280)

Crystal Effects

Transparent Effects

Crystal AB (001 AB)

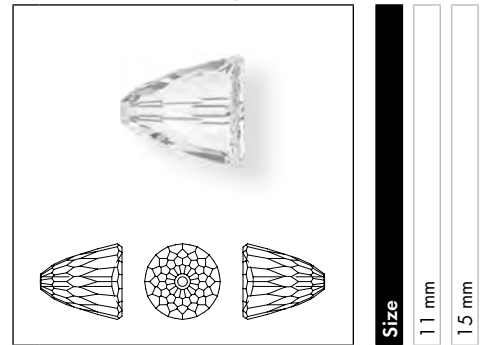
Crystal Golden Shadow (001 GSHA)

Color Effects

Metallic Effects

Jet Hematite (280 HEM)

5541 Dome Bead large



Size
11 mm
15 mm

Crystal

Crystal (001)

Colors

Plain Colors

Blush Rose (257)

Smoky Mauve (265)

Crystal Effects

Transparent Effects

Crystal AB (001 AB)

Crystal Antique Pink (001 ANTP)

Crystal Blue Shade (001 BLSH)

Crystal Golden Shadow (001 GSHA)

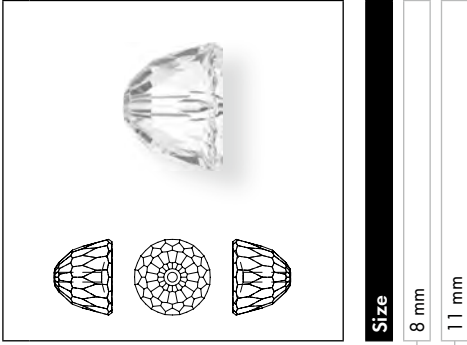
Crystal Paradise Shine (001 PARSH)

Metallic Effects

Crystal Metallic Sunshine (001 METSH)

BEADS

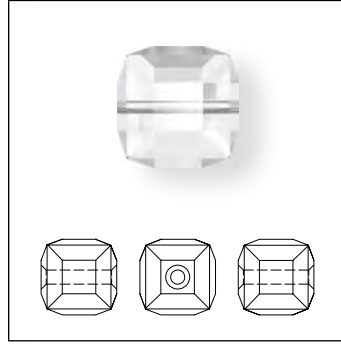
5542 Dome Bead small



Size
8 mm
11 mm

Crystal	
Crystal (001)	
Colors	
Plain Colors	
Blush Rose (257)	
Smoky Mauve (265)	
Crystal Effects	
Transparent Effects	
Crystal AB (001 AB)	
Crystal Antique Pink (001 ANTP)	
Crystal Blue Shade (001 BLSH)	
Crystal Golden Shadow (001 GSHA)	
Crystal Paradise Shine (001 PARSH)	
Metallic Effects	
Crystal Metallic Sunshine (001 METSH)	

5601

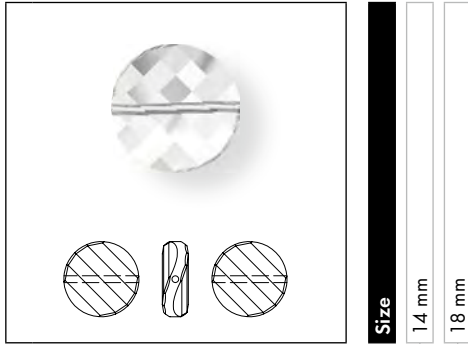


Size
4 mm
6 mm
8 mm
10 mm
12 mm

Crystal	
Crystal (001)	
Colors	
Plain Colors	
Amethyst (204)	
Aquamarine (202)	
Blush Rose (257)	
Emerald (205)	
Fuchsia (502)	
Jet (280)	
Light Siam (227)	
Light Topaz (226)	
Light Turquoise (263)	
Peridot (214)	
Sapphire (206)	
Siam (208)	
Tangerine (259)	
Tanzanite (539)	
Topaz (203)	
Crystal Effects	
Transparent Effects	
Crystal AB B (001 ABB)	
Crystal Blue Shade B (001 BLSHB)	
Crystal Golden Shadow B (001 GSHAB)	
Crystal Lilac Shadow B (001 LISHB)	
Crystal Luminous Green B (001 LUMGB)	
Crystal Paradise Shine B (001 PARSHB)	
Crystal Silver Night B (001 SINIB)	
Crystal Vitrail Medium B (001 VMB)	
Metallic Effects	
Crystal Light Chrome B (001 LTCHB)	
Crystal Metallic Sunshine (001 METSH)	
Crystal Rose Gold B (001 ROGLB)	
Crystal Rose Gold B 2x (001 ROGL2B)	

BEADS

5621 Twist Bead



Crystal

Crystal (001)

Colors

Plain Colors

Amethyst (204)

Aquamarine (202)

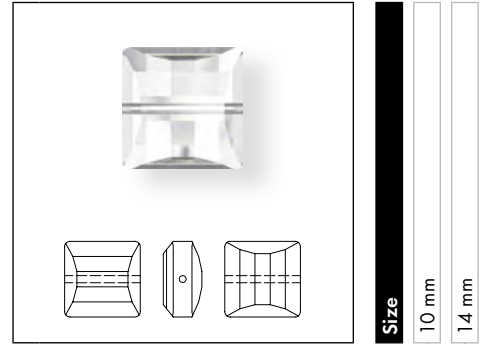
Black Diamond (215)

Crystal Effects

Transparent Effects

Crystal Golden Shadow (001 GSHA)

5624 Stairway Bead



Crystal

Crystal (001)

Crystal Effects

Transparent Effects

Crystal AB (001 AB)

Crystal Golden Shadow (001 GSHA)

BEADS

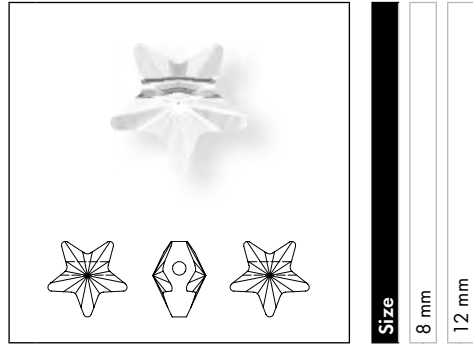
5650 Cubist Bead



Size
12x8 mm
16x10 mm

- Crystal**
- Crystal (001)
- Crystal Effects**
- Transparent Effects**
- Crystal AB (001 AB)
- Crystal Golden Shadow (001 GSHA)

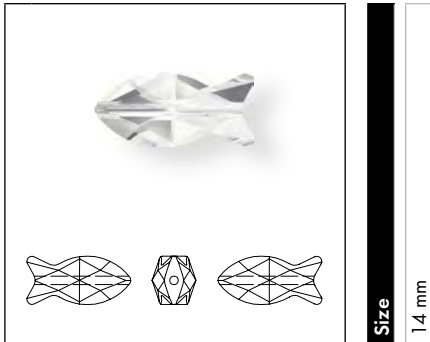
5714 Star Bead



Size
8 mm
12 mm

- Crystal**
- Crystal (001)
- Crystal Effects**
- Transparent Effects**
- Crystal AB (001 AB)
- Crystal Golden Shadow (001 GSHA)

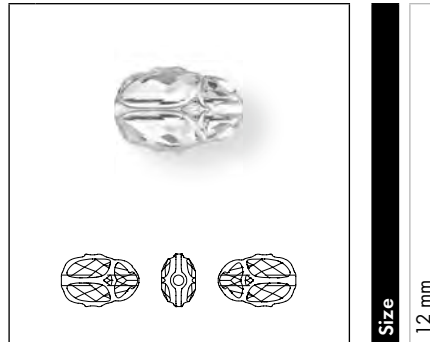
5727 Fish Bead



Size
14 mm

- Crystal**
- Crystal (001)
- Crystal Effects**
- Transparent Effects**
- Crystal AB (001 AB)
- Crystal Golden Shadow (001 GSHA)

5728 Scarab Bead



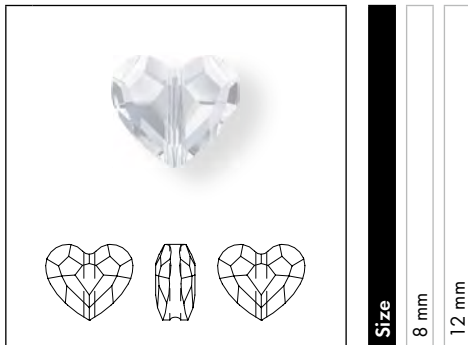
Size
12 mm

- Crystal**
- Crystal (001)
- Colors**
- Plain Colors**
- Amethyst (204)
- Aquamarine (202)
- Emerald (205)
- Jet (280)
- Crystal Effects**
- Transparent Effects**
- Crystal AB (001 AB)
- Crystal Golden Shadow (001 GSHA)
- Crystal Silver Night (001 SINI)
- Metallic Effects**
- Crystal Metallic Sunshine (001 METSH)
- Crystal Scarabaeus Green*** (001 SCGR)
- Crystal Scarabaeus Green*** 2x (001 SCGR2)

*** designed by Jean Paul Gaultier

BEADS

5741 Love Bead



Crystal

Crystal (001)

Colors

Plain Colors

Blush Rose (257)

Fuchsia (502)

Jet (280)

Light Siam (227)

Light Silk (261)

Rose (209)

Crystal Effects

Transparent Effects

Crystal AB (001 AB)

Crystal Antique Pink (001 ANTP)

Crystal Golden Shadow (001 GSHA)

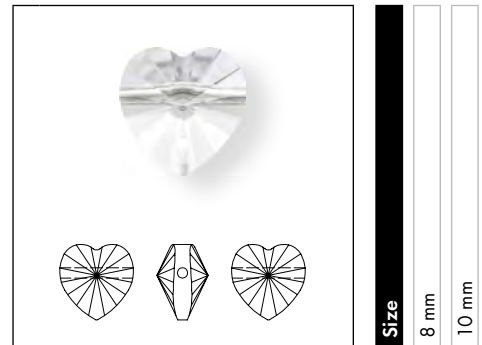
Crystal Paradise Shine (001 PARSH)

Crystal Silver Night 2x (001 SINI2)

Metallic Effects

Crystal Metallic Sunshine (001 METSH)

5742 Heart Bead



Crystal

Crystal (001)

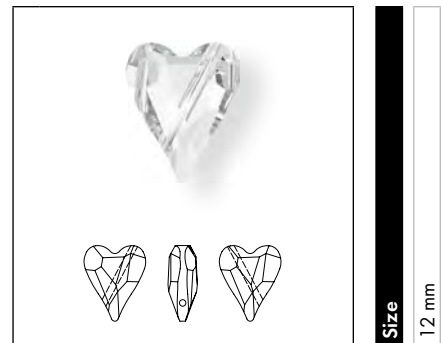
Crystal Effects

Transparent Effects

Crystal AB (001 AB)

Crystal Golden Shadow (001 GSHA)

5743 Wild Heart Bead



Crystal

Crystal (001)

Colors

Plain Colors

Siam (208)

Crystal Effects

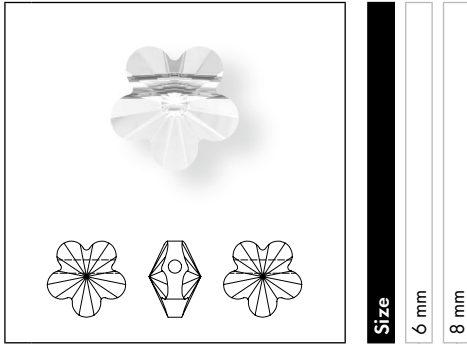
Transparent Effects

Crystal AB (001 AB)

Crystal Golden Shadow (001 GSHA)

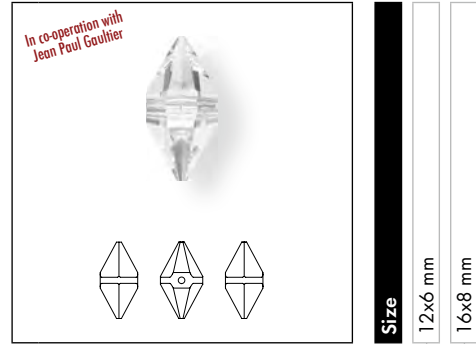
BEADS

5744 Flower Bead



- Crystal**
- Crystal (001)
- Crystal Effects**
- Transparent Effects**
- Crystal AB (001 AB)

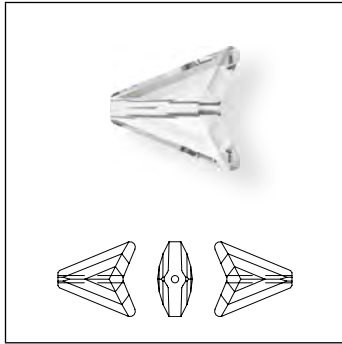
5747 Double Spike Bead



- Crystal**
- Crystal (001)
- Colors**
- Plain Colors**
- Jet (280)
- Light Turquoise (263)
- Crystal Effects**
- Transparent Effects**
- Crystal AB (001 AB)
- Crystal Astral Pink (001 API)
- Crystal Golden Shadow (001 GSHA)
- Crystal Lilac Shadow (001 LISH)
- Crystal Luminous Green (001 LUMG)
- Crystal Paradise Shine (001 PARSH)
- Crystal Silver Night (001 SINI)
- Crystal Silver Night 2x (001 SINI2)
- Crystal Silver Shade (001 SSHA)
- Metallic Effects**
- Crystal Iridescent Green (001 IRIG)
- Crystal Metallic Blue 2x (001 METBL2)
- Crystal Metallic Light Gold 2x (001 MLG2)
- Crystal Metallic Sunshine (001 METSH)
- Crystal Rose Gold 2x (001 ROGL2)

BEADS

5748 Arrow Bead



Size

12 mm

16 mm

Crystal

Crystal (001)

Colors

Plain Colors

Jet (280)

Light Turquoise (263)

Smoky Mauve (265)

Crystal Effects

Transparent Effects

Crystal AB (001 AB)

Crystal Astral Pink (001 API)

Crystal Golden Shadow (001 GSHA)

Crystal Paradise Shine (001 PARSH)

Crystal Red Magma (001 REDM)

Crystal Silver Night (001 SINI)

Crystal Silver Night 2x (001 SINI2)

Crystal Silver Shade (001 SSHA)

Metallic Effects

Crystal Iridescent Green (001 IRIG)

Crystal Metallic Light Gold 2x (001 MLG2)

Crystal Rose Gold 2x (001 ROGL2)

Crystal Patina Effect

Crystal Black Patina (001 BLAPA)

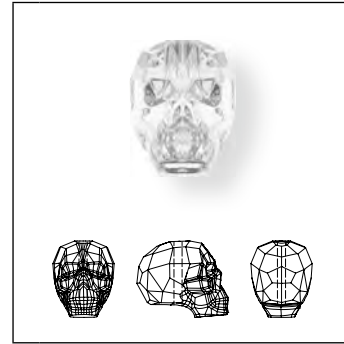
Crystal Gold Patina (001 GOLPA)

Crystal Rose Patina (001 ROSPA)

Crystal Silver Patina (001 SILPA)

Crystal White Patina (001 WHIPA)

5750 Skull Bead



Size

13 mm

19 mm

Crystal

Crystal (001)

Colors

Plain Colors

Denim Blue (266)

Jet (280)

Crystal Effects

Transparent Effects

Crystal AB (001 AB)

Crystal Astral Pink (001 API)

Crystal Golden Shadow (001 GSHA)

Crystal Luminous Green (001 LUMG)

Crystal Paradise Shine (001 PARSH)

Crystal Red Magma (001 REDM)

Crystal Silver Night (001 SINI)

Crystal Silver Night 2x (001 SINI2)

Metallic Effects

Crystal Iridescent Green (001 IRIG)

Crystal Light Chrome (001 LTCH)

Crystal Light Chrome 2x (001 LTCH2)

Crystal Metallic Blue 2x (001 METBL2)

Crystal Metallic Light Gold 2x (001 MLG2)

Crystal Metallic Sunshine (001 METSH)

Crystal Rose Gold 2x (001 ROGL2)

Crystal Patina Effect

Crystal Black Patina (001 BLAPA)

Crystal Gold Patina (001 GOLPA)

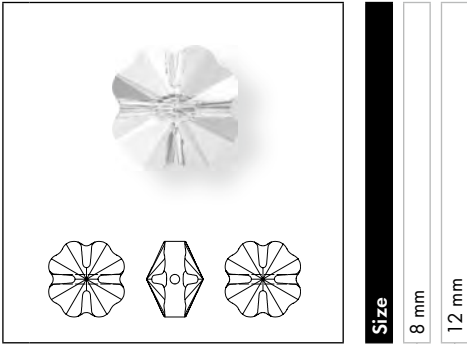
Crystal Rose Patina (001 ROSPA)

Crystal Silver Patina (001 SILPA)

Crystal White Patina (001 WHIPA)

BEADS

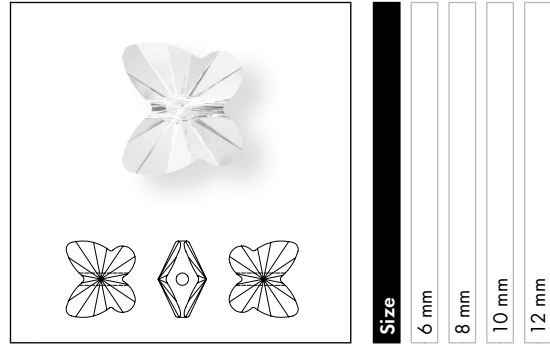
5752 Clover Bead



Size
8 mm
12 mm

Crystal	
Crystal (001)	
Colors	
Plain Colors	
Light Siam (227)	
Peridot (214)	
Crystal Effects	
Transparent Effects	
Crystal AB (001 AB)	
Crystal Golden Shadow (001 GSHA)	
Metallic Effects	
Crystal Metallic Sunshine (001 METSH)	

5754 Butterfly Bead



Size
6 mm
8 mm
10 mm
12 mm

Crystal	
Crystal (001)	
Colors	
Plain Colors	
Aquamarine (202)	
Blush Rose (257)	
Fuchsia (502)	
Jet (280)	
Jonquil (213)	
Light Rose (223)	
Light Siam (227)	
Peridot (214)	
Smoky Mauve (265)	
Violet (371)	
Crystal Effects	
Transparent Effects	
Crystal AB (001 AB)	
Crystal Golden Shadow (001 GSHA)	
Crystal Paradise Shine (001 PARSH)	
Metallic Effects	
Crystal Metallic Sunshine (001 METSH)	

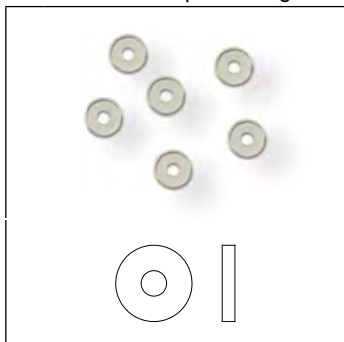
BEADS

COMPLEMENTARY PRODUCTS

These protective plastic spacer rings are recommended for use between Beads, increasing the durability of the designs and enabling the use of larger Beads and more complex

cuts. Please order art. 7800 № 646 with Sys.no. 977980 (packing unit = 100 pcs) and art. 7800 № 647 with Sys. no. 977981 (packing unit = 1,000 pcs).

7800 Protective Spacer Rings



C	Transparent	
S	3 mm (hole 1 mm)	
M	100 PCS (№ 646)	
	1,000 PCS (№ 647)	150%

BEADS

PRODUCT DETAILS

03 BEADS

Article Size	Packing Unit = Minimum Order Quantity in Pieces	Average Net Weight in Grams per Packing Unit Crystal (001)	Average Gross Weight in Grams per Packing Unit Crystal (001)
5000			
2 mm	1,440	11.5	20.8
3 mm	720	23.6	33.4
4 mm	720	53.5	62.6
5 mm	720	105.3	116.3
6 mm	360	81.6	92.5
7 mm	288	126.2	159.2
8 mm	288	193.5	200.8
10 mm	144	180.6	199.4
12 mm	72	144.2	166.1
14 mm	72	247.1	280.5
16 mm	48	252.3	296.6
18 mm	24	168.7	185.9
20 mm	12	123.5	142.9
5003			
6 mm	360	109.9	120.8
8 mm	144	100.4	118.6
10 mm	144	195.9	219.2
12 mm	72	158.5	179.2
14 mm	48	172.4	193.0
5005			
8 mm	216	145.4	172.1
12 mm	72	154.3	175.4
16 mm	24	122.1	146.7
5020			
6 mm	360	74.5	85.2
8 mm	288	146.6	178.2
10 mm	144	116.4	139.2
5028/4			
6 mm	360	75.791	83.4
8 mm	144	74.714	85.6
10 mm	72	70.763	76.5
5040			
4 mm	720	41.3	50.4
6 mm	360	71.8	82.9
8 mm	288	135.6	163.7
12 mm	144	214.4	242.4
18 mm	24	121.4	140.2
5041			
18 mm	24	114.2	133.0
5045			
4 mm	540	36.01	46.3
6 mm	288	60.7	70.9
8 mm	216	117.5	145.9
5050			
14x10 mm	72	66.3	86.7
22x16 mm	36	90.4	115.6
5051			
8x6 mm	288	67.2	76.4
10x8 mm	144	50.8	74.9
5052			
6 mm	288	52.1	60.6
8 mm	144	42.3	65.8

BEADS

Article Size	Packing Unit = Minimum Order Quantity in Pieces	Average Net Weight in Grams per Packing Unit Crystal (001)	Average Gross Weight in Grams per Packing Unit Crystal (001)
5053			
6 mm	288	49.7	58.9
8 mm	144	54.4	71.820
5054			
6 mm	288	40.0	49.1
8 mm	144	43.3	64.4
5055			
8x6 mm	144	39.5	60.5
10x8 mm	72	32.8	49.7
5056			
10x6 mm	144	41.7	62.7
12x8 mm	96	46.0	67.0
5139			
12.5 mm	48	44.6	61.8
5181			
13x7 mm	144	72.3	94.6
17x9 mm	48	52.2	72.2
5200			
6x4 mm	360	44.1	53.2
7.5x5 mm	360	80.0	91.0
5305			
5 mm	720	52.7	63.9
6 mm	360	50.5	61.4
5308			
6 mm	360	54.4	65.4
5328			
2.5 mm	1,440	23.8	31.4
3 mm	1,440	34.1	45.2
4 mm	1,440	81.8	89.2
5 mm	720	89.3	100.0
6 mm	360	73.7	84.6
8 mm	288	141.8	173.4
10 mm	144	140.4	154.0
5378			
14 mm	72	55.6	83.87
18 mm	48	81.7	103.06
5500			
9x6 mm	144	59.0	69.9
10.5x7 mm	144	88.8	109.6
12x8 mm	144	144.0	164.1
5514			
8x5.5 mm	144	72.7	67.8
10x7 mm	96	48.9	70.7
5515			
14x9.5 mm	36	36.3	56.5
18x12.5 mm	24	52.1	74.2
5523			
12 mm	144	143.2	173.6
16 mm	72	156.1	194.7
5535			
19x5 mm	72	60.3	85.5

BEADS

Article Size	Packing Unit = Minimum Order Quantity in Pieces	Average Net Weight in Grams per Packing Unit Crystal (001)	Average Gross Weight in Grams per Packing Unit Crystal (001)
5540			
12 mm	72	62.1	86.7
17 mm	48	108.9	133.5
5541			
11 mm	96	105.6	129.3
15 mm	48	126.2	146.2
5542			
8 mm	96	81.4	102.9
11 mm	48	97.6	118.6
5601			
4 mm	288	43.9	65.2
6 mm	144	70.6	88.9
8 mm	96	100.2	118.4
10 mm	72	138.0	156.5
12 mm	36	129.6	147.7
5621			
14 mm	96	168.7	202.1
18 mm	72	253.1	283.8
5624			
10 mm	108	117.51	134.2
14 mm	72	174.77	204.5
5650			
12x8 mm	144	108.1	131.9
16x10 mm	72	138.0	153.9
5714			
8 mm	288	73.3	102.1
12 mm	108	72.3	102.2
5727			
14 mm	108	72.3	105.4
5728			
12 mm	96	59.5	85.1
5741			
8 mm	144	43.3	66.24
12 mm	72	66.2	89.58
5742			
8 mm	288	120.5	154.5
10 mm	288	233.1	266.5
5743			
12 mm	108	72.2	96.96
5744			
6 mm	360	47.4	58.1
8 mm	288	80.2	112.3
5747			
12x6 mm	144	64.4	81.2
16x8 mm	96	104.8	124.4
5748			
12 mm	72	52.1	74.5
16 mm	48	86.2	109.5

BEADS

Article Size	Packing Unit = Minimum Order Quantity in Pieces	Average Net Weight in Grams per Packing Unit Crystal (001)	Average Gross Weight in Grams per Packing Unit Crystal (001)
5750			
13 mm	12	24.2	43.8
19 mm	12	73.7	100.0
5752			
8 mm	288	106.1	136.9
12 mm	96	117.7	137.5
5754			
6 mm	360	42.3	53.0
8 mm	288	77.9	109.8
10 mm	288	156.9	188.9
12 mm	144	136.7	168.9
7800			
N ₂ 646	100	-	-
N ₂ 647	1,000	-	-